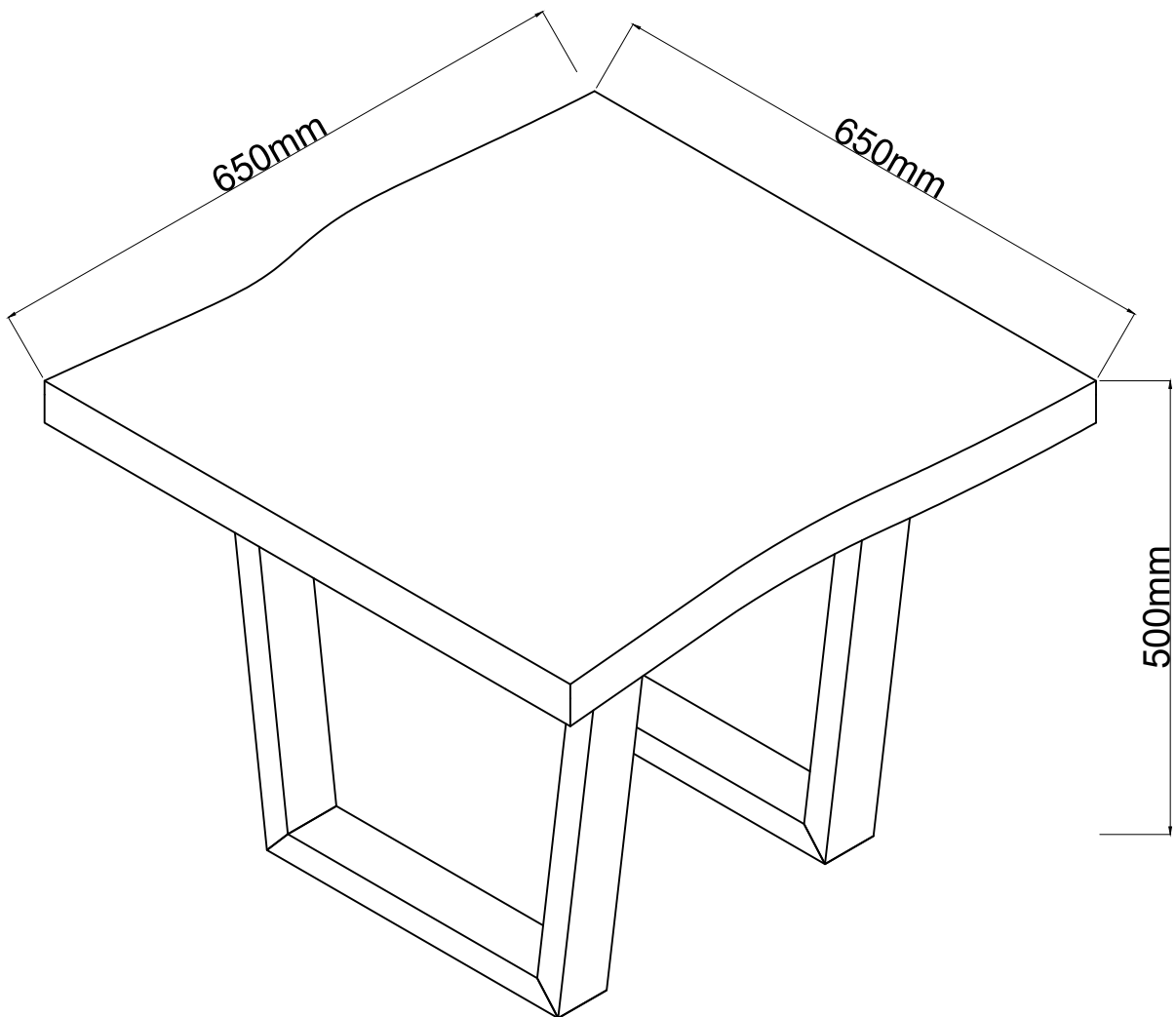




# SIGNATURE

— COLLECTION —

## ASSEMBLY INSTRUCTION NERO LAMP TABLE ITEM CODE 63758,82893



Imported by Amart Furniture Pty Ltd, Qld, Brisbane Australia.  
For any assistance with assembly or for missing parts please phone  
Amart Furniture, Customer Service Free call 1800 351 084

## **IMPORTANT: CARE GUIDE FOR YOUR TIMBER FURNITURE**

*Congratulations! You have just purchased a quality product from Amart furniture.*

*Please read on for important information regarding your purchase...*

A multi-step finish is applied to all our furniture, but all wood comes from nature. Because of this, there will be natural variations in surface texture and grain like knots, mineral streaks and sap runs that may affect the finish.

These differences in character are not defects, but distinctions that make each piece of furniture unique.

Our furniture is built to last. Following these steps, basic care should protect your investment for years to come.

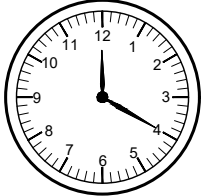


- Dust frequently with a clean damp lint-free cloth. This will help remove abrasive build up which can damage a finish over time.
- Do not place hot objects on any Furniture surface. Always use a suitable placemat. Laminate and lacquer finishes on table tops provide added scratch and heat resistance to our furniture, but they can still be damaged without proper care.
- Avoid exposing your furniture to strong sunlight, heat, open windows or dampness. Prolonged exposure to direct sunlight can fade the finish of your furniture, and sudden extreme temperature and humidity changes can cause cracking or splitting.
- Do not expose your furniture to any liquids. Never allow water to sit on your furniture. Alcohol, nail polish and perfume are also dangerous as they will dissolve the lacquer finish on contact and may require professional repairs.
- Do not allow plastic to come in direct contact with your furniture. Chemicals in the plastic of placemats etc may soften and mark the finish if left in contact with the furniture for a period of time.



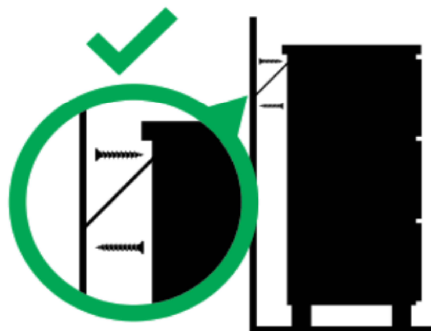
# PRE-ASSEMBLY PREPARATION

## Before you start:

1. Choose a clean, level, spacious assembly area. Avoid hard surfaces that may damage the product
2. Take care when lifting. Product should be assembled as near as possible to the point of use
3. Ensure that you have all required contents for complete assembly
4. Always read the assembly instructions carefully before beginning assembly.
5. Keep all hardware parts and packaging out of reach of small children.
6. Do not over tighten the screws and bolts as this may damage the threads

	 <b>x2</b>
<b>ALLOW 20 MINUTES</b>	<b>2 PEOPLE REQUIRED</b>
	
<b>ADDITIONAL TOOL REQUIRED (not include)</b>	

## **WARNING**



### **Children have died from furniture tipover.**

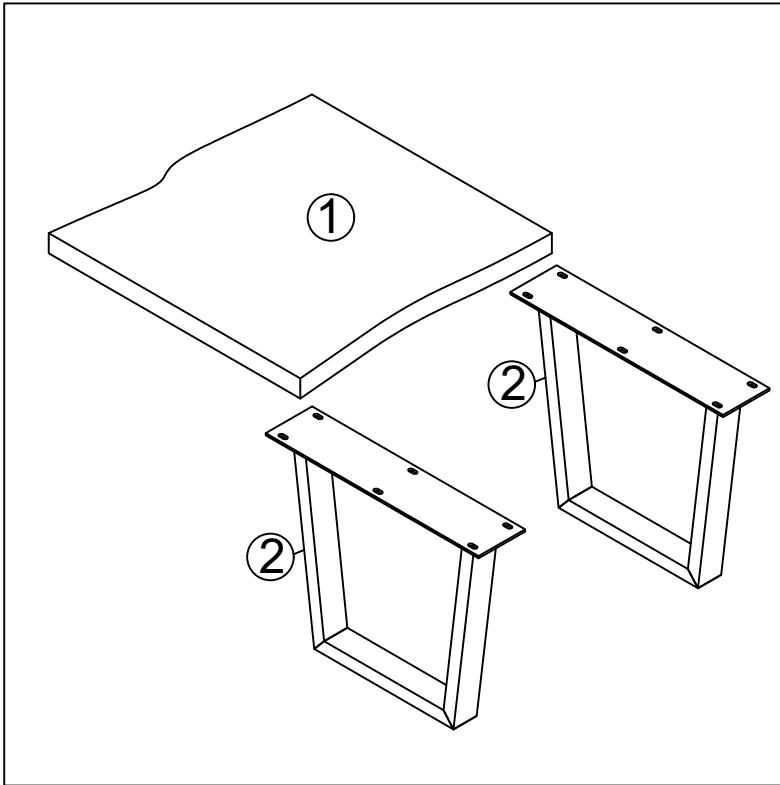
- ALWAYS secure it with an anchor device.
- NEVER allow children to stand, climb or hang on drawers, doors, or shelves.
- NEVER open more than one drawer at a time.
- Place heavy items down low

**NEVER put a TV on this furniture**

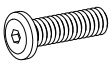









**This is a permanent label.  
Do not remove!**

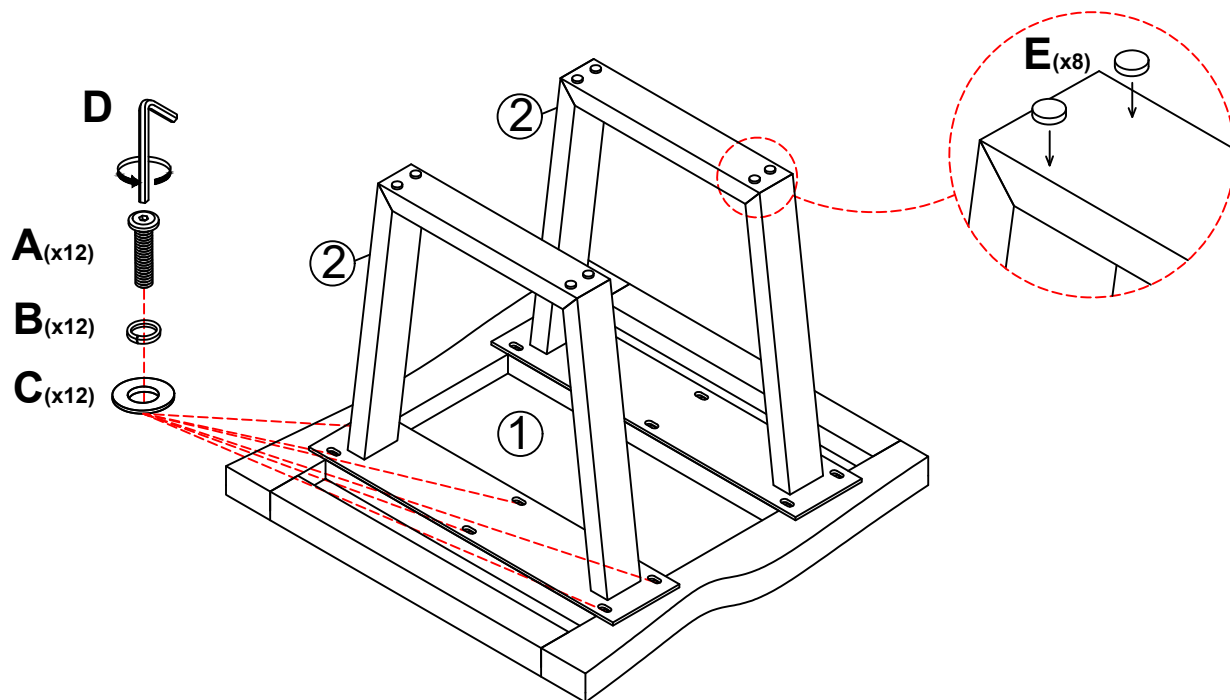
# PARTS LIST



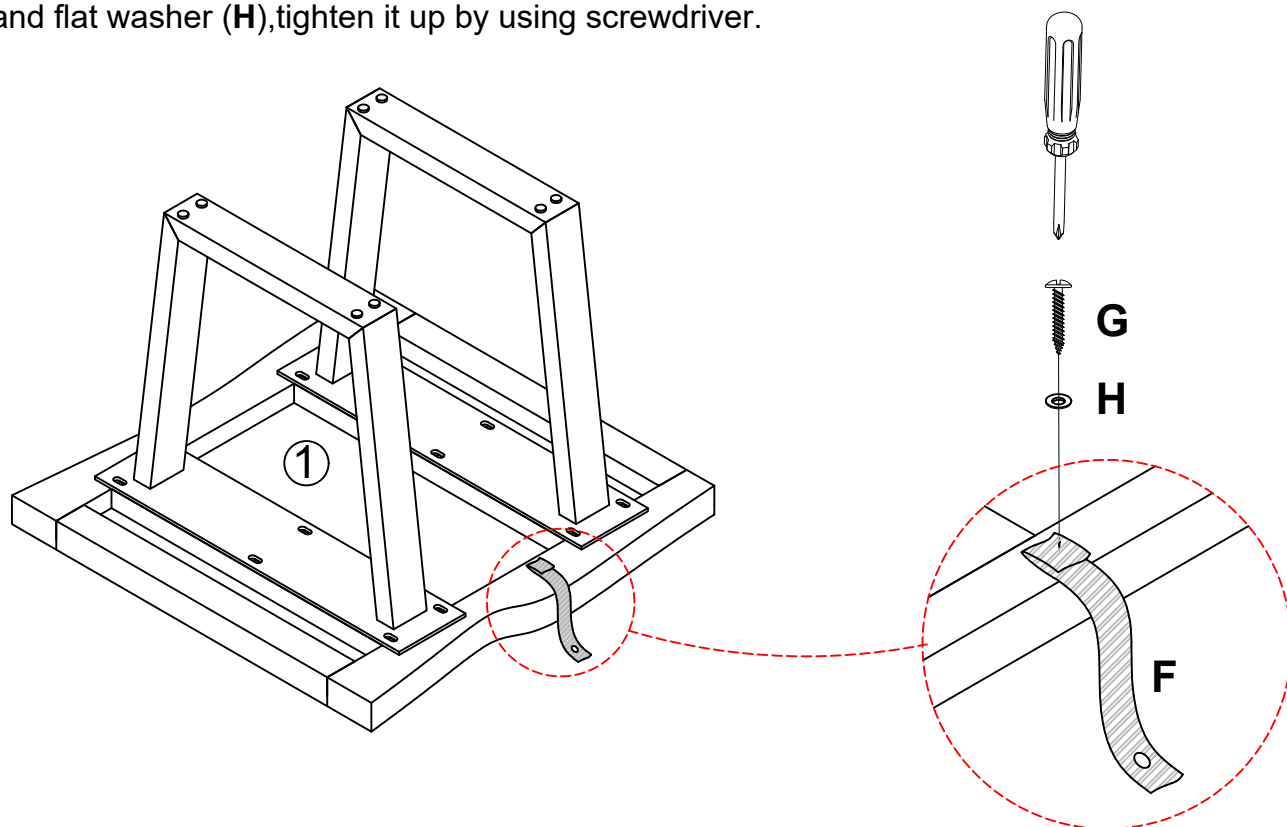
NO	PART LIST	QT'Y
1	Table top	1 PC
2	Table legs	2 PCS

<p><b>A</b> Bolt</p>  <p>M8 x 20mm 12xA</p>	<p><b>B</b> Spring washer</p>  <p>M8 x Ø13 x 1,5mm 12xB</p>	<p><b>C</b> Flat washer</p>  <p>M8 x Ø19 x 1mm 12xC</p>
<p><b>D</b> Allen key</p>  <p>4mm 1xD</p>	<p><b>E</b> Adhesive felt pad</p>  <p>Ø20 x 5mm 8xE</p>	<p><b>F</b> Tipping kit strap</p>  <p>1xF</p>
<p><b>G</b> Adhesive felt pad</p>  <p>M4 x 20mm 1xG</p>	<p><b>H</b> Flat washer</p>  <p>M4 x Ø10 x 1mm 1xH</p>	

**STEP 1:** Attach table legs (2) onto table top (1) using the bolts (A), spring washers (B) and flat washers (C), tighten it up by using an allen key (D). Attach adhesive felt pad (E) onto the legs (2).



**STEP 2:** Attach Tipping Kit Strap (F) to the table top (1) by using screw (G) and flat washer (H), tighten it up by using screwdriver.

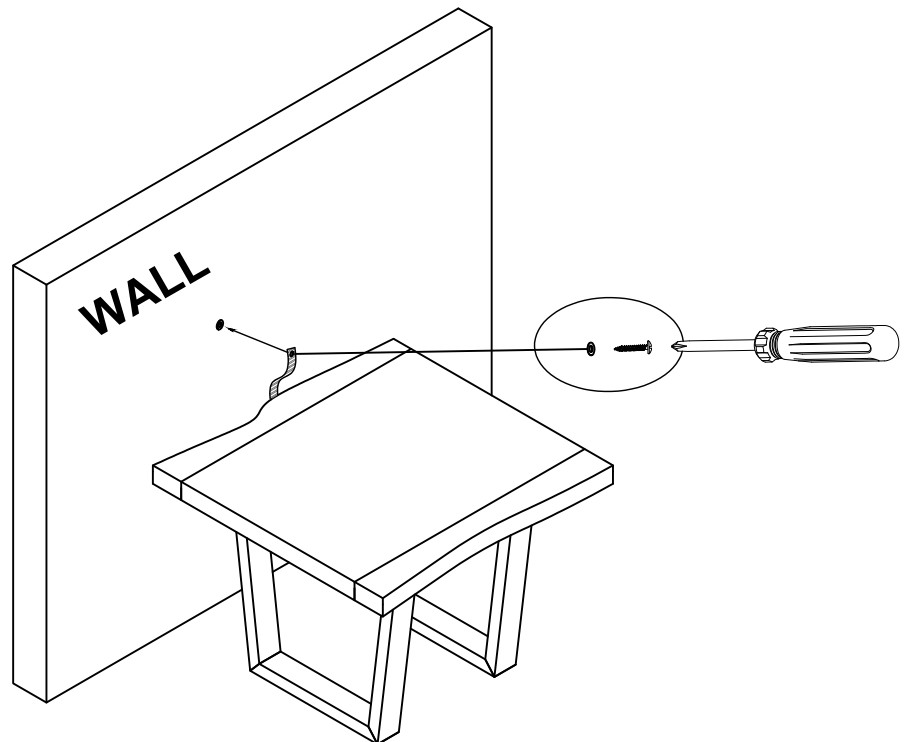


**IMPORTANT NOTE:**  
ALWAYS USE TWO PEOPLE WHEN TURNING THE TABLE OVER

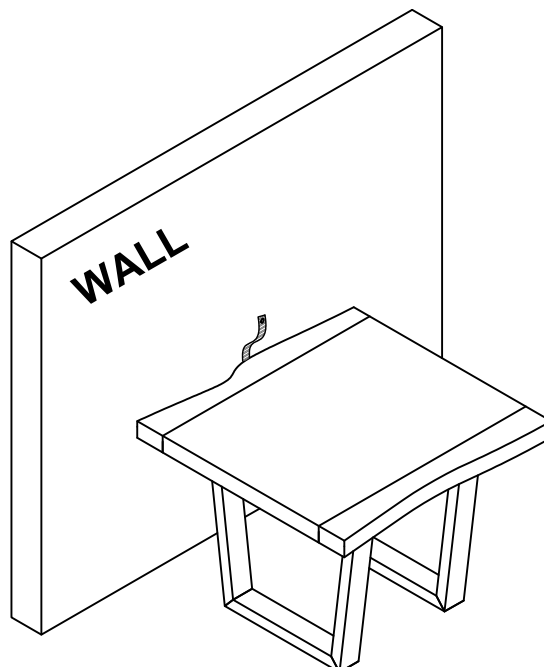
## Fixing the strap to the wall

As the wall materials vary, screws for fixing to the wall are not included.

For advice on suitable screws systems, contact your local specialised dealer.



ASSEMBLY IS COMPLETE



**CAUTION:**  
ALWAYS LIFT YOUR PRODUCT WHEN MOVING/RELOCATING. DO NOT DRAG.  
DRAGGING CAN CAUSE DAMAGE TO THE LEGS.

**IMPORTANT NOTE:**  
THE FELT PAD ON THE BOTTOM OF THE CHAIR LEG IS SUBJECT TO WEAR. AMART  
RECOMMENDS REGULAR-ROUTINE CHECKS AND REPLACEMENT WHERE NECESSARY.